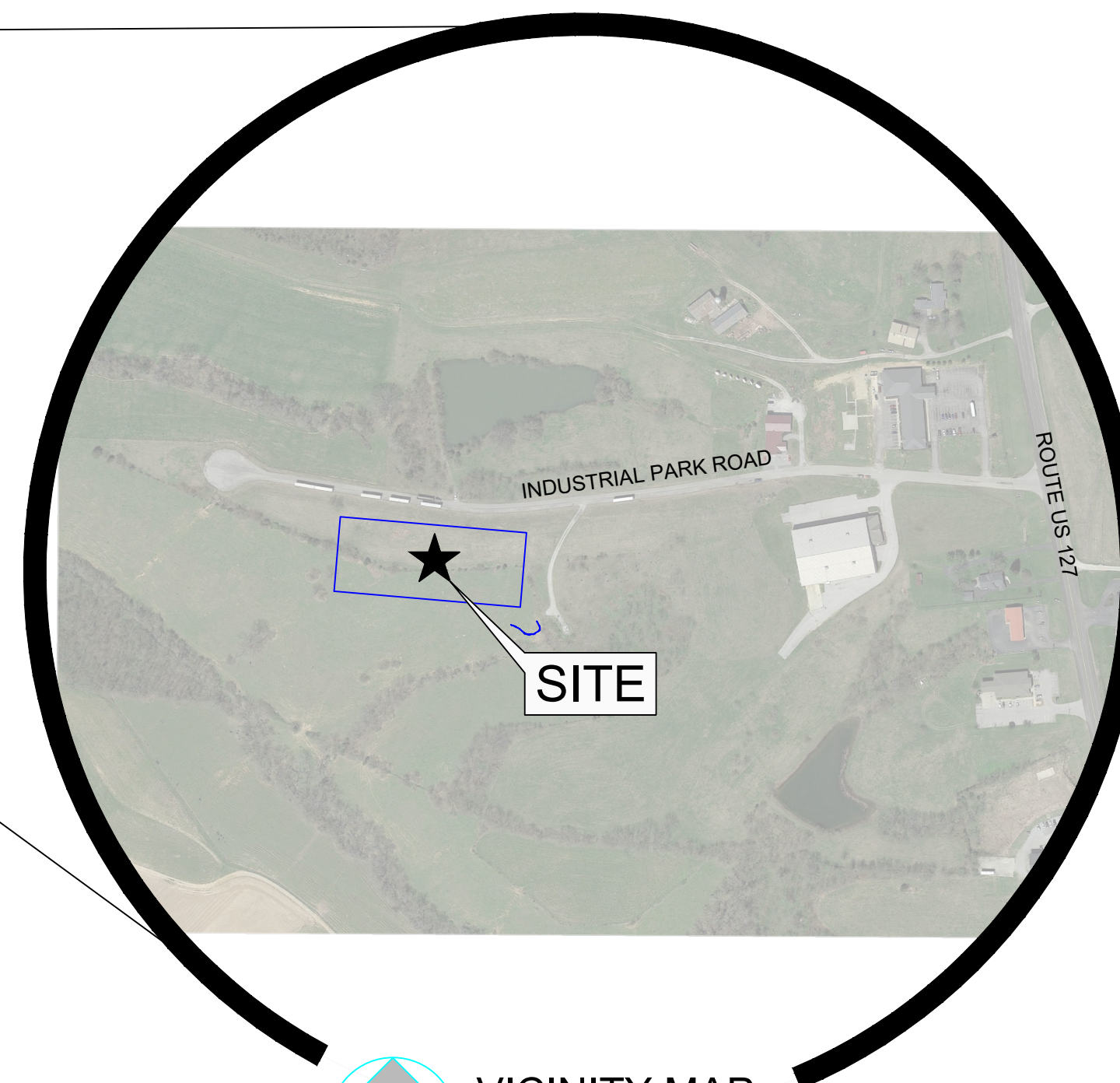
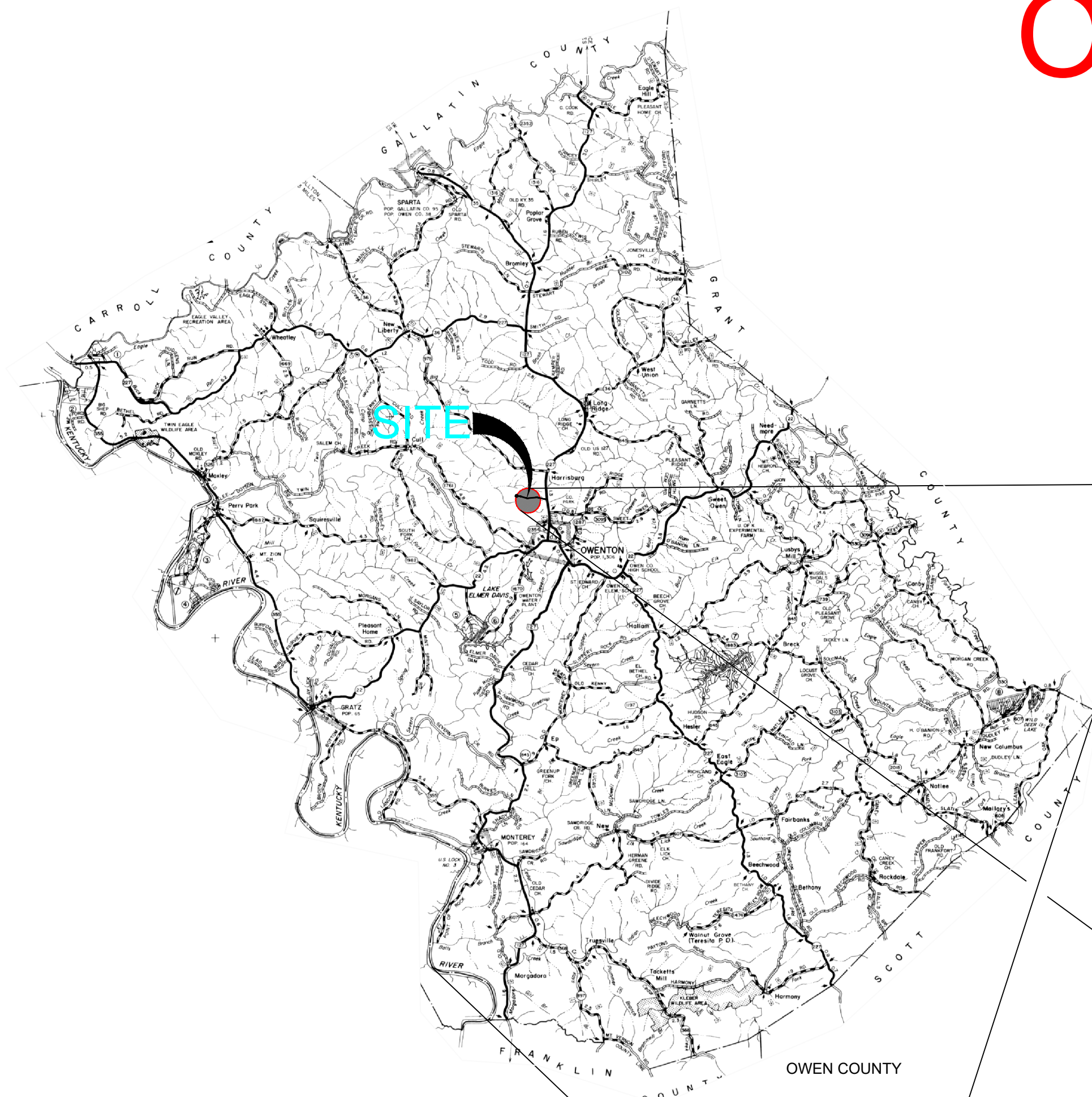


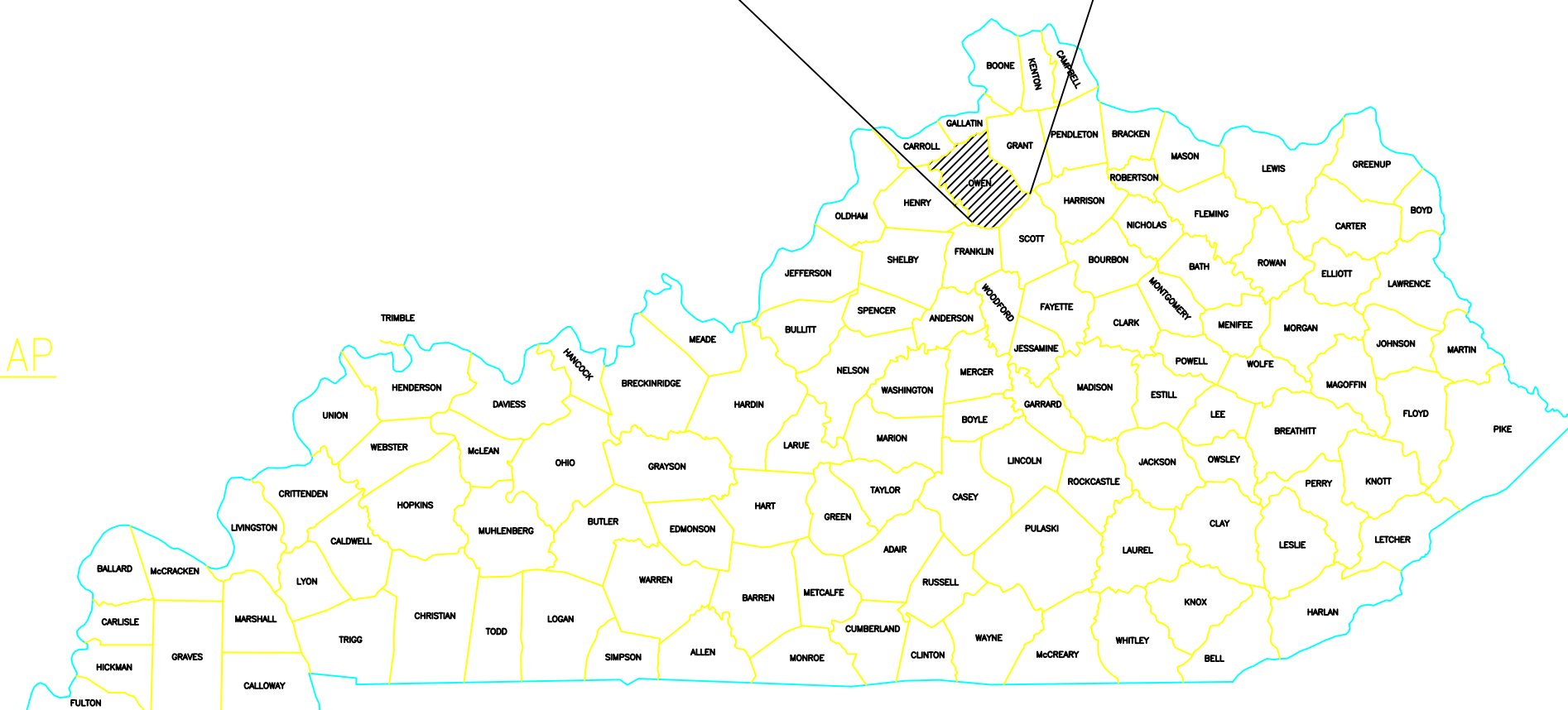
PROPOSED BUILD READY PAD FOR OWEN COUNTY INDUSTRIAL PARK OWENTON, KENTUCKY



VICINITY MAP
SCALE: 1" = 400'

INDEX OF DRAWINGS	
Sheet Number	Sheet Title
	COVER
GEN	GENERAL NOTES
C-1	PAD AND ROAD REGRADE
EC-1	EROSION CONTROL DETAILS
EC-2	EROSION CONTROL PLAN
D-1	DRAINAGE PIPE DETAILS

LOCATION MAP

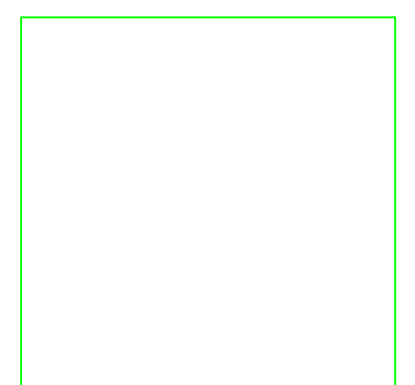


JUNE 204

nse OF KENTUCKY, INC. Engineers Architects Planners

SET NO. _____

MSE PROJECT No. 2024-13



GENERAL NOTES:

- PRIOR TO ANY CONSTRUCTION OR DEMOLITION ACTIVITIES, THE CONTRACTOR SHALL BE RESPONSIBLE FOR VERIFYING LOCATIONS OF ALL EXISTING UTILITIES WITHIN THE PROJECT LIMITS. CONTRACTOR SHALL MAINTAIN UNINTERRUPTED UTILITY SERVICE TO ADJACENT FACILITIES DURING CONSTRUCTION. CONTRACTOR SHALL COORDINATE WORK WITH UTILITY OWNERS. SHOULD DAMAGE OCCUR TO EXISTING OR NEW UTILITY SERVICES DURING CONSTRUCTION, IT IS THE CONTRACTOR'S SOLE RESPONSIBILITY TO REPAIR AND/OR REPLACE SAID DAMAGE AT THE CONTRACTOR'S EXPENSE AT NO ADDITIONAL COST TO THE OWNER. NEW UTILITY WORK, REPAIRS, REPLACEMENTS AND/OR RELOCATIONS SHALL MEET THE APPROVAL OF THE UTILITY OWNER.
- CONTRACTOR TO MARK AND PROTECT ALL UNDERGROUND UTILITIES AND OVERHEAD OBSTRUCTIONS.
- CONTRACTOR SHALL BE RESPONSIBLE FOR OBTAINING ALL REQUIRED PERMITS INCLUDING GRADING PERMIT FROM LOCAL AUTHORITIES AND THE SUBMISSION OF A NOTICE ON INTENT (NOI) FOR STORMWATER DISCHARGE WITH THE KENTUCKY DEPARTMENT OF WATER PRIOR TO ANY CONSTRUCTION ACTIVITY. UPON COMPLETION OF THE PROJECT, THE CONTRACTOR SHALL SUBMIT A NOTICE OF TERMINATION (NOT) TO THE KENTUCKY DIVISION OF WATER. THE CONTRACTOR SHALL PROVIDE THE ENGINEER WITH A COPY OF ALL PERMITS OBTAINED.
- VEGETATIVE AND STRUCTURAL EROSION AND SEDIMENT CONTROL PRACTICES SHALL BE CONSTRUCTED AND MAINTAINED ACCORDING TO MINIMUM STANDARDS AND SPECIFICATIONS OF THE "KENTUCKY BEST MANAGEMENT PRACTICES FOR CONSTRUCTION ACTIVITIES" DATED AUGUST 1994 AS PREPARED BY THE DIVISION OF CONSERVATION AND DIVISION OF WATER, NATURAL RESOURCES AND ENVIRONMENTAL PROTECTION CABINET AND/OR THE KENTUCKY TRANSPORTATION CABINET (KYTC) STANDARDS. CONTRACTOR SHALL USE THE "KENTUCKY EROSION PREVENTION AND SEDIMENT CONTROL FIELD GUIDE" AS THE DEFINITION OF REQUIREMENTS FOR CONSTRUCTION ACTIVITY.
- EROSION AND SEDIMENT CONTROL MEASURES MUST BE IN PLACE AND FUNCTIONAL BEFORE EARTH MOVING OPERATIONS BEGIN AND MUST BE PROPERLY MAINTAINED THROUGHOUT THE CONSTRUCTION PERIOD. CONTRACTOR SHALL BE RESPONSIBLE FOR INSTALLATION OF ANY ADDITIONAL EROSION CONTROL MEASURES NECESSARY TO PREVENT EROSION AND SEDIMENTATION AS DETERMINED BY OWNER OR THE GOVERNING AGENCY. CONTRACTOR SHALL INSPECT ALL EROSION CONTROL MEASURES WEEKLY AND AFTER EACH RUN-OFF PRODUCING RAINFALL EVENT. ANY NECESSARY REPAIRS OR CLEANUP TO MAINTAIN THE EFFECTIVENESS OF THE EROSION AND SEDIMENT CONTROL DEVICES SHALL BE MADE IMMEDIATELY WITHIN 24 HOURS.
- CONTRACTOR SHALL BE RESPONSIBLE FOR PROVIDING AND MAINTAINING CONSTRUCTION ENTRANCES AND SHALL KEEP ALL ROADS AND STREETS FREE ROM MUD, DIRT AND DEBRIS.
- THE CONTRACTOR MUST PROVIDE TRAFFIC CONTROL IN ACCORDANCE WITH THE MANUAL FOR UNIFORM TRAFFIC CONTROL DEVICES AND THE KENTUCKY DEPARTMENT OF HIGHWAYS GUIDANCE MANUAL.
- THE CONTRACTOR MUST MAINTAIN ACCESS TO EXISTING BUSINESSES AND EXISTING ROADS.
- IN ADDITION TO PREVENTING SEDIMENT AND EROSION CONTROL DURING CONSTRUCTION, THE CONTRACTOR MUST MINIMIZE OR ELIMINATE THE POTENTIAL FOR CHEMICAL CONTAMINANTS TO ENTER THE SOIL OR BE CARRIED ACROSS THE SITE BY STORM WATER. POTENTIAL CONTAMINANTS NORMALLY ASSOCIATED WITH CONSTRUCTION ACTIVITY INCLUDE GASOLINE AND DIESEL FUEL, OIL, GREASE, ANTIFREEZE, TERMITES SOIL TREATMENT CHEMICALS, FERTILIZER, ASPHALT OILS, EMULSIONS AND SMALL PARTICLE SIZE CONSTRUCTION DEBRIS. THE CONTRACTOR MUST EMPLOY VARIOUS BEST MANAGEMENT PRACTICES TO ELIMINATE OR MINIMIZE THE POTENTIAL FOR THESE CONTAMINANTS TO REACH THE SOIL AND/OR DRAINAGE SYSTEMS.
- ALL SURFACE RUNOFF SHALL BE DIRECTED AWAY FROM ROADWAYS AND BUILDINGS AND DIRECTED TO DRAINAGE STRUCTURES, DITCHES OR SWALES.
- CONTRACTOR SHALL ACCURATELY RECORD ALL UTILITIES CONSTRUCTED OR ENCOUNTERED ON "AS-BUILT" DRAWINGS AND PROVIDE TO OWNER AND ENGINEER'S SHA
- MATERIALS AND METHODS OF CONSTRUCTION FOR GRADING AND DRAINAGE STRUCTURES INCLUDING PIPING AND HEADWALLS SHALL BE IN ACCORDANCE WITH KENTUCKY TRANSPORTATION CABINET (KYTC) "STANDARD SPECIFICATIONS FOR ROAD AND BRIDGE CONSTRUCTION", CURRENT EDITION.
- CONTRACTOR SHALL NOTIFY ENGINEER OF ANY AREAS WHERE UNACCEPTABLE SOILS, SINKHOLES, WET AREAS OR OTHER CONDITIONS ARE ENCOUNTERED WHICH MAY ADVERSELY AFFECT THE SITE. IF DIRECTED BY ENGINEER, REMOVE UNSUITABLE SOILS AND REPLACE THEM WITH ACCEPTABLE SOILS.
- EARTH AND ROCK WORK IS UNCLASSIFIED. NO EXTRA PAYMENT WILL BE MADE FOR ROCK EXCAVATION.
- CONTRACTOR SHALL MAKE MINOR ADJUSTMENTS IN GRADING PLAN AS NECESSARY TO PROVIDE FOR SMOOTH TRANSITION FOR EXISTING ENTRANCES.
- ALL SPOT ELEVATIONS INDICATE FINISH GRADE OF SURFACE. CONTRACTOR SHALL MAKE ADJUSTMENTS TO ESTABLISH GRADES OF SUB-BASE OR SUBGRADE.
- IT SHALL BE THE CONTRACTOR'S SOLE RESPONSIBILITY TO DETERMINE EARTHWORK (EXCAVATION AND EMBANKMENT) QUANTITIES.
- AREAS TO BE FILLED, EXCAVATED, LANDSCAPED, OR REGRADED SHALL BE STRIPPED OF ALL VEGETATION AND TOPSOIL. ALL TOPSOIL SHALL BE STOCKPILED FOR REDISTRIBUTION. STOCKPILE AREAS SHALL HAVE SOIL EROSION PROTECTION IN THE FORM OF SILT FENCING INSTALLED AROUND THE PERIMETER OR OTHER SUCH ACCEPTABLE MEASURES.
- ALL SOIL FILL MATERIAL PLACED ON THIS PROJECT SHOULD BE COMPACTED WITH APPROPRIATE EQUIPMENT IN UNIFORM LAYERS TO THE MODIFIED PROCTOR MAXIMUM DRY DENSITY (ASTM D-1557) AS RECOMMENDED IN THE GEOTECHNICAL REPORT FOR THIS PROJECT.
- FILL MATERIAL SHALL BE PROPERTY MONITORED USING FIELD DENSITY TEST CHECKS. ALL TESTING SHALL BE PROVIDED BY A QUALIFIED INDEPENDENT TESTING AGENCY. SHOULD REPORTS INDICATE SPECIFIED COMPACTION IS NOT ACHIEVED, THE CONTRACTOR SHALL REMOVE MATERIAL, REPLACE, AND RETEST AT NO ADDITIONAL COST TO THE OWNER UNTIL ACCEPTABLE RESULTS ARE ACHIEVED. COPIES OF TEST REPORTS SHALL BE PROVIDED TO THE ENGINEER.
- CONTRACTOR SHALL PROVIDE REDISTRIBUTION OF STOCKPILED OR IMPORT TOPSOIL AS REQUIRED OVER ALL FINISHED GRADE SOIL AREAS TO A MINIMUM OF 12 INCHES AND PROVIDE FINAL SITE GRADING TO INSURE POSITIVE DRAINAGE AWAY FROM ROADWAYS AND BUILDINGS. AFTER FINAL GRADING, ANY LOW SPOTS WHICH ALLOW WATER TO POND SHALL MAKE ANY NECESSARY MINOR GRADE ADJUSTMENTS AS REQUIRED TO BEST FIT THE ACTUAL SITE CONDITIONS. CONTRACTOR SHALL PROVIDE BORROW MATERIAL AS REQUIRED FOR FILLING EXCAVATIONS, HOLES AND OTHER SUCH OPENINGS.
- ALL EARTH GRADED AREAS SCARRED OR DENUDED BY THE CONSTRUCTION ACTIVITY SHALL BE SEEDED AND PROTECTED IN ADDITION TO THE PROVISIONS OF OTHER EROSION AND SEDIMENT CONTROL MEASURES AS REQUIRED.
- ALL SURPLUS AND WASTE MATERIALS SHALL BE TRANSPORTED AND DISPOSED OF OFF-SITE IN ACCORDANCE WITH ALL APPLICABLE LOCAL, STATE AND FEDERAL REGULATIONS AND CODES UNLESS OTHERWISE APPROVED BY OWNER. NO BURNING OR BURYING OF TREES, BRUSH, CONSTRUCTION DEBRIS, RUBBISH, ETC. SHALL BE ALLOWED ON SITE UNLESS OWNER APPROVAL IS OBTAINED.

ROADWAY CONSTRUCTION NOTES

- SUBGRADE SHALL BE CONSTRUCTED IN ACCORDANCE WITH THE GENERAL SPECIFICATIONS. COMPACTION TESTS AT SPECIFIED INTERVALS SHALL BE SUBMITTED TO THE ENGINEER PRIOR TO PLACING THE FIRST LIFT OF STONE.
- CONTRACTOR SHALL COMPLY WITH ALL REQUIREMENTS AND TERMS OS THE ENTRANCE PERMIT ISSUED BY KTC FOR THIS PROJECT.

STORM DRAINAGE FACILITIES NOTES

- STORM SEWER PIPE SHALL BE AS DESIGNATED ON THE APPROVED CONSTRUCTION PLANS, AND SHALL CONFORM TO THE GENERAL SPECIFICATIONS.
- BEDDING AND BACKFILL SHALL CONSIST OF THE FOLLOWING:
 - WHEN THE TRENCH EXCAVATION IS IN ROCK, THE PIPE SHALL BE BEDDED ON AT LEAST 6 INCHES OF NO. 9 OR NO. 68 CRUSHED STONE, AND SHALL BE BACKFILLED WITH NO. 9 OR NO. 68 CRUSHED STONE FOR A MINIMUM OF 12 INCHES ABOVE THE TOP OF THE PIPE. BACKFILL ABOVE THIS CUSHION SHALL NOT CONTAIN PIECES OF ROCK LARGER THAN 12 INCHES IN ANY DIMENSION.
 - WHEN THE TRENCH EXCAVATION IS IN SOIL, THE PIPE SHALL BE BEDDED ON AT LEAST 6 INCHES OF NO. 9 OR NO. 68 CRUSHED STONE, AND SHALL BE BACKFILLED WITH NO. 9 OR NO. 68 CRUSHED STONE TO THE SPRINGLINE OF THE PIPE. THE REMAINING PORTION OF THE TRENCH, NOT LOCATED WITHIN A STREET, CAN BE BACK FILLED WITH SELECT SOIL CONTAINING ROCKS NO LARGER THAN 1 1/2 INCH IN SIZE.
 - WHEN THE TRENCH EXCAVATION IS WITHIN A STREET (I.E., BACK OF CURB TO BACK OF CURB), THEN THE ENTIRE TRENCH SHALL BE BACKFILLED WITH NO. 9 OR NO. 68 CRUSHED STONE.
- HEADWALLS AND OTHER CONCRETE STRUCTURES SHALL BE AS DESIGNATED ON THE APPROVED CONSTRUCTION PLANS, AND SHALL CONFORM TO THE GENERAL SPECIFICATIONS.
- DRAINAGE SWALES SHALL CONFORM TO THE GENERAL SPECIFICATIONS. DRAINAGE SWALES SHALL BE SODDED OR HAVE VEGETATION BLANKETS USED TO THE ELEVATION OF THE 25-YEAR FREQUENCY STORM.
- MINIMUM 3 FOOT HIGH CHAIN LINK FENCING SHALL BE REQUIRED ALONG THE PERIMETER OF THE HEADWALL IF THE DISTANCE FROM THE PIPE INVERT TO THE TOP OF THE HEADWALL EXCEEDS 3.5 FEET.

SPECIFICATIONS FOR GEOTEXTILE FABRIC

GRAB TENSILE STRENGTH 220 LBS. (MIN.) (ASTM D1682)
 ELONGATION FAILURE 60% (MIN.) (ASTM D1682)
 MULLEN BURST STRENGTH 430 LBS. (MIN.) (ASTM D3768)
 PUNCTURE STRENGTH 125 LBS. (MIN.) (ASTM D751)
 (MODIFIED)
 EQUIVALENT OPENING SIZE 40-80 (US STD SIEVE)
 (CW-02215)

NOTES

- A STABILIZED ENTRANCE PAD OF CRUSHED STONE SHALL BE LOCATED WHERE TRAFFIC WILL ENTER OR LEAVE THE CONSTRUCTION SITE ONTO A PUBLIC STREET.
- SOIL STABILIZATION FABRIC SHALL BE USED AS A BASE FOR THE CONSTRUCTION ENTRANCE.
- THE ENTRANCE SHALL BE MAINTAINED IN A CONDITION WHICH WILL PREVENT TRACKING OR FLOWING OF SEDIMENT ONTO PUBLIC STREETS OR EXISTING PAVEMENT. THIS MAY REQUIRE PERIODIC TOP DRESSING WITH ADDITIONAL STONE AS CONDITIONS WARRANT AND REPAIR OR CLEAN OUT OF ANY MEASURES USED TO TRAP SEDIMENT.
- ANY SEDIMENT SPILLED, DROPPED, WASHED, OR TRACKED ONTO PUBLIC STREETS OR INTO STORM DRAINS MUST BE REMOVED IMMEDIATELY.
- WHEN APPROPRIATE, WHEELS MUST BE CLEANED TO REMOVE SEDIMENT PRIOR TO ENTERING A PUBLIC STREET. WHEN WASHING IS REQUIRED, IT SHALL BE DONE IN AN AREA STABILIZED WITH CRUSHED STONE WHICH DRAINS INTO AN APPROVED SEDIMENT BASIN.

UTILITY NOTES

- UTILITY CONTACTS:**
 - Kentucky American Water**
Water Supplier
102 N Main St.
Owenton, KY
(502) 484-2330
 - Owen Electric Co-Op, Inc.**
Electricity Supplier
8205 Highway 127 N
Owenton, KY
(800)372-7612
 - Bowlin Energy, Llc**
Energy equipment and solution
1475 Highway 127 N.
Owenton, KY
(502) 484-5012
 - Owenton Water Treatment Plant**
Water purification services
220 Water Plant Lane
Owenton, KY
(502) 484-9077
- CONTRACTOR SHALL NOTIFY APPROPRIATE UTILITY AT LEAST 48 HOURS PRIOR TO BEGINNING CONSTRUCTION IN THE AREA OF THE AFFECTED UTILITY.
- ANY INTERRUPTIONS IN SERVICE MUST BE MINIMIZED AND SCHEDULED WITH THE UTILITY.
- ALL CASINGS FOR FUTURE USE MUST BE SEALED AND MARKED AT EACH END WITH A STEEL POST MIN. 6' LENGTH.
- ALL PIPE MATERIALS, FITTINGS, ETC. MUST MEET THE APPROVAL OF THE APPLICABLE UTILITY.



OWENTON INDUSTRIAL PARK

PROPOSED BUILDING PADS

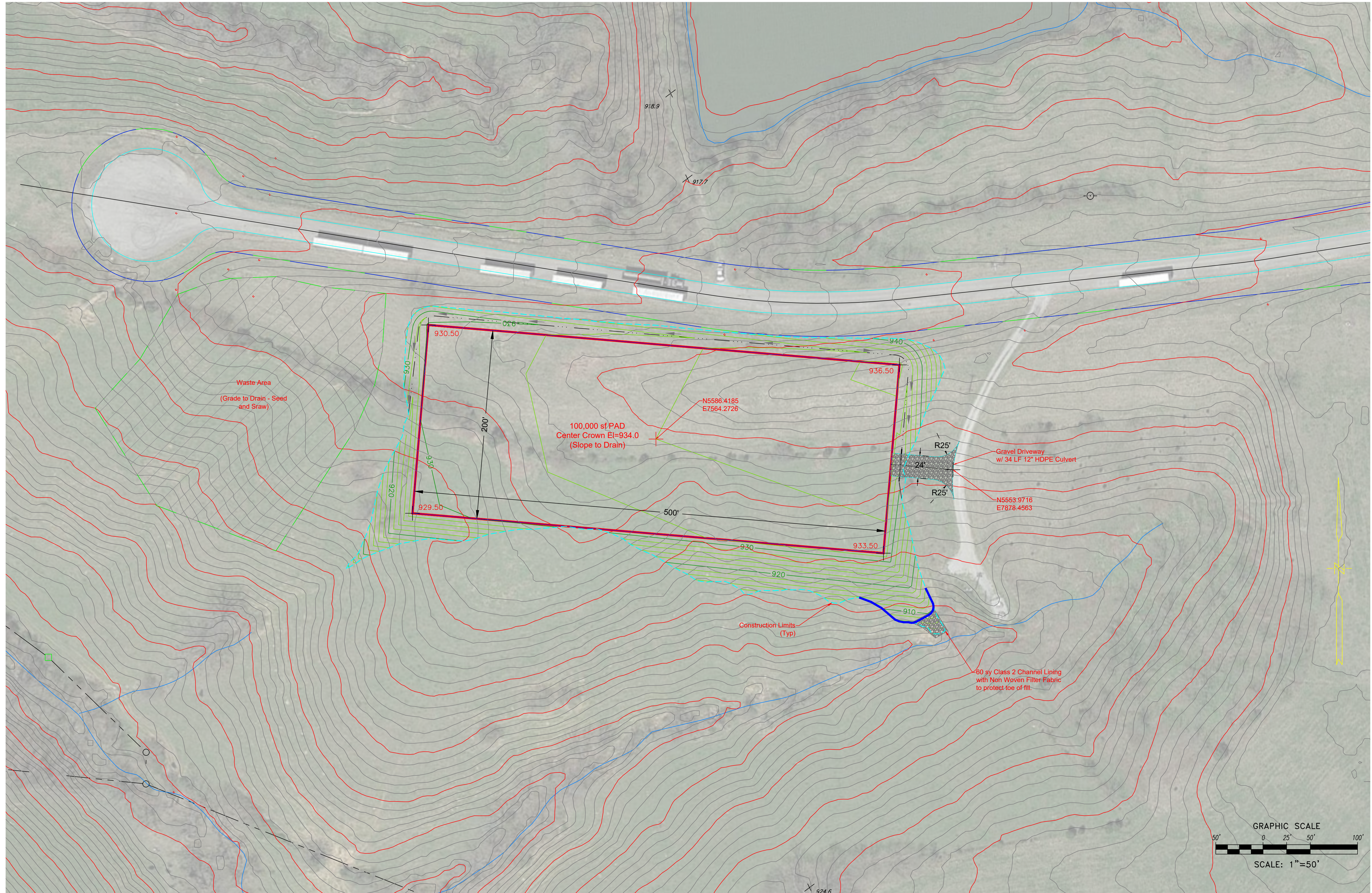
PROJECT NO.	2024-13
DESIGNED BY	GAR
DRAWN BY	JDW
CHECKED BY	GAR
REVIEWED BY	GAR
DATE	6/7/24
SCALE	AS NOTED

msc
OF KENTUCKY, INC.
 Engineers
 Architects
 Planners

624 Wellington Way
 Lexington, KY 40503
 www.mslex.com

Phone: (659)223-5694
 Fax: (659)223-2607

DRAWING NO.
GEN
 SHEET OF



Grade and Drain

OWENTON INDUSTRIAL PARK
PROPOSED BUILDING PADS

PROJECT NO.	DATE	REVISION	BY
2024-13			
DESIGNED BY GAR			
DRAWN BY JOW			
CHECKED BY GAR			
REVIEWED BY GAR			
DATE	6/7/24		
SCALE	AS NOTED		

**Engineers
Architects
Planners**

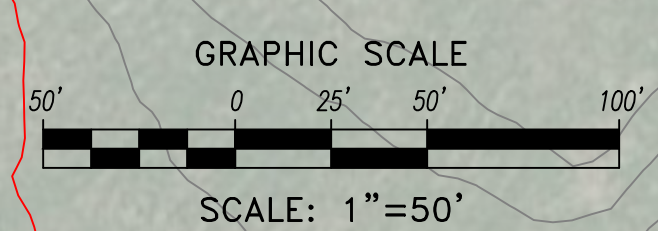
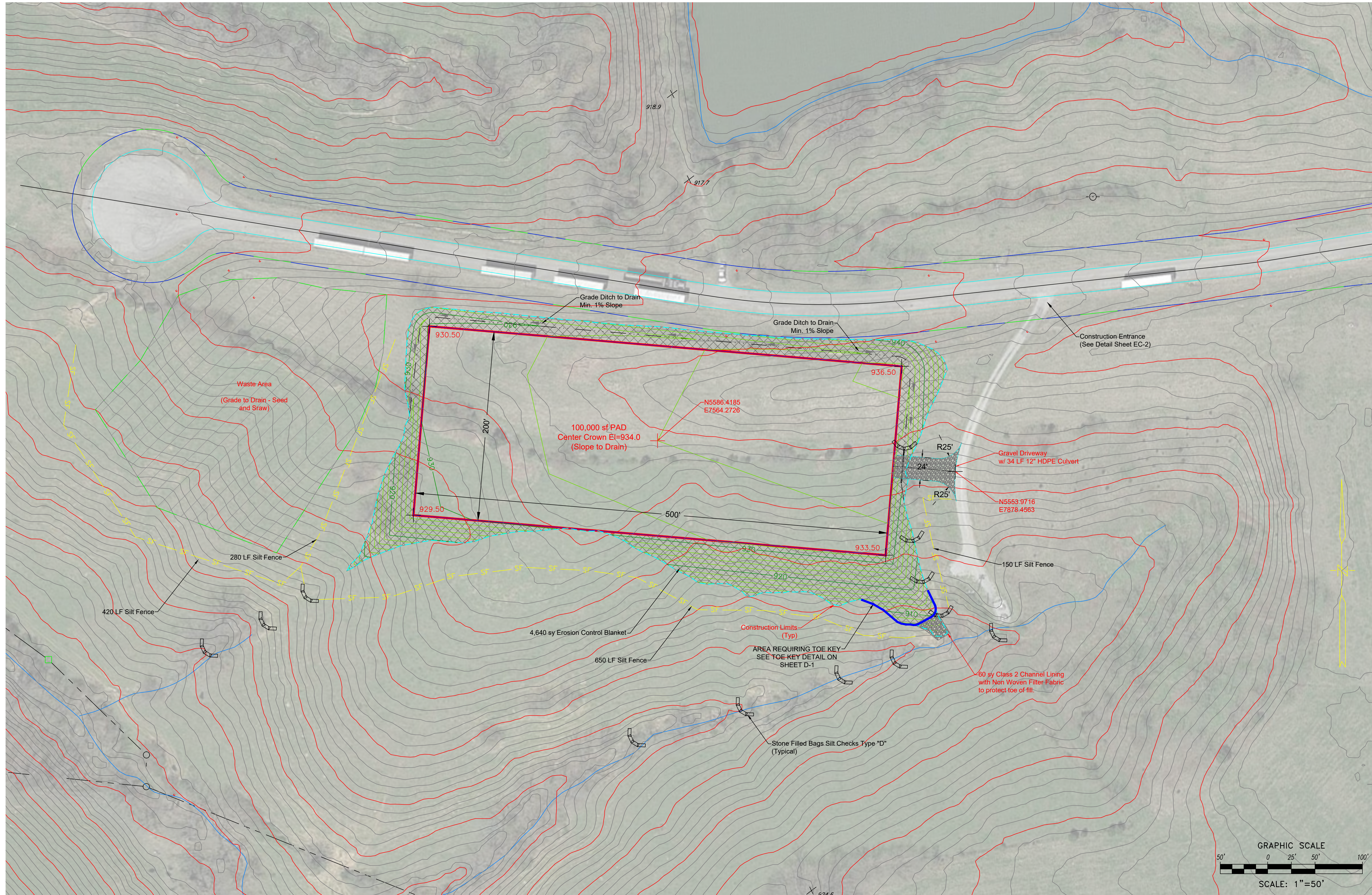
nse
OF KENTUCKY, INC.

624 Wellington Way
Lexington, KY 40503
www.nselex.com

Phone: (859)223-5684
Fax: (859)223-2607

DRAWING NO.	C-1
SHEET	OF

© copyright
NOTE: This document depicts a preliminary design. It is not intended to be used for construction without the written permission of NSE of Kentucky, Inc.



Erosion Control Plan

OWENTON INDUSTRIAL PARK
PROPOSED BUILDING PADS

DATE	REVISION	BY

PROJECT NO. 2024-13
DESIGNED BY GAR
DRAWN BY JDW
CHECKED BY GAR
REVIEWED BY GAR
DATE 6/7/24
SCALE AS NOTED

nse
OF KENTUCKY, INC.
Engineers
Architects
Planners

624 Wellington Way
Lexington, KY 40503
www.nsekex.com

Phone: (859)225-5694
Fax: (859)225-2007

EROSION CONTROL NOTES:

THE EROSION CONTROL MEASURES NOTED BELOW ARE MINIMUMS AND DO NOT RELIEVE THE CONTRACTOR FROM THE RESPONSIBILITY FOR COMPLIANCE WITH ANY AND ALL U.S. EPA, KENTUCKY DIVISION OF WATER AND/OR LOCAL REQUIREMENTS.

CONTRACTOR SHALL ESTABLISH EROSION CONTROL MEASURES BEFORE DISTURBING SITE.

ALL EROSION CONTROL DEVICES SHALL BE PROPERLY MAINTAINED DURING ALL PHASES OF CONSTRUCTION UNTIL THE COMPLETION OF ALL CONSTRUCTION ACTIVITIES AND ALL DISTURBED AREAS HAVE BEEN STABILIZED.

ADDITIONAL CONTROL DEVICES MAY BE REQUIRED DURING CONSTRUCTION, IN ORDER TO CONTROL EROSION AND/OR OFFSITE SEDIMENTATION. ALL TEMPORARY CONTROL DEVICES SHALL BE REMOVED ONCE CONSTRUCTION IS COMPLETED AND THE SITE IS STABILIZED.

IT IS THE CONTRACTOR'S RESPONSIBILITY TO PREVENT EROSION ONTO ADJACENT PROPERTY. ANY REMEDIAL MEASURES REQUIRED TO CORRECT DAMAGE CREATED BY EROSION SHALL BE AT THE CONTRACTOR'S EXPENSE.

TOPSOIL STOCKPILES THAT ARE NOT BEING UTILIZED FOR A PERIOD OF 14 DAYS TO BE SURROUNDED BY SILT FENCE.

SILT FENCES TO BE CLEANED OUT WHEN THEY BECOME ONE-THIRD FULL.

WHEN SEASONAL CONDITIONS PROHIBIT THE APPLICATION OF TEMPORARY OR PERMANENT SEEDING, NON-VEGETATIVE SOIL STABILIZATION PRACTICES SUCH AS MULCHING AND MATTING SHALL BE USED, UNTIL SUCH TIME AS CONDITIONS PERMIT.

ALL SEDIMENT CONTROL MEASURES SHALL BE INSPECTED AT LEAST ONCE EVERY SEVEN DAYS AND AFTER ANY STORM EVENT OF GREATER THAN 0.5 INCHES OF PRECIPITATION DURING ANY 24-HOUR PERIOD. A FIELD LOG OF INSPECTIONS SHALL BE MADE AND A COPY GIVEN TO THE OWNER.

ALL SEDIMENT CONTROL FEATURES SHALL BE MAINTAINED UNTIL FINAL SOIL STABILIZATION HAS BEEN OBTAINED.

STABILIZATION MEASURES SHALL BE INITIATED AS SOON AS PRACTICAL IN PORTIONS OF THE SITE WHERE CONSTRUCTION ACTIVITIES HAVE TEMPORARILY OR PERMANENTLY CEASED, BUT NO MORE THAN 14 DAYS AFTER THE CONSTRUCTION ACTIVITY IN THAT PART OF THE SITE HAS TEMPORARILY OR PERMANENTLY CEASED UNLESS THAT ACTIVITY IN THAT PORTION OF THE SITE WILL RESUME WITHIN 21 DAYS.

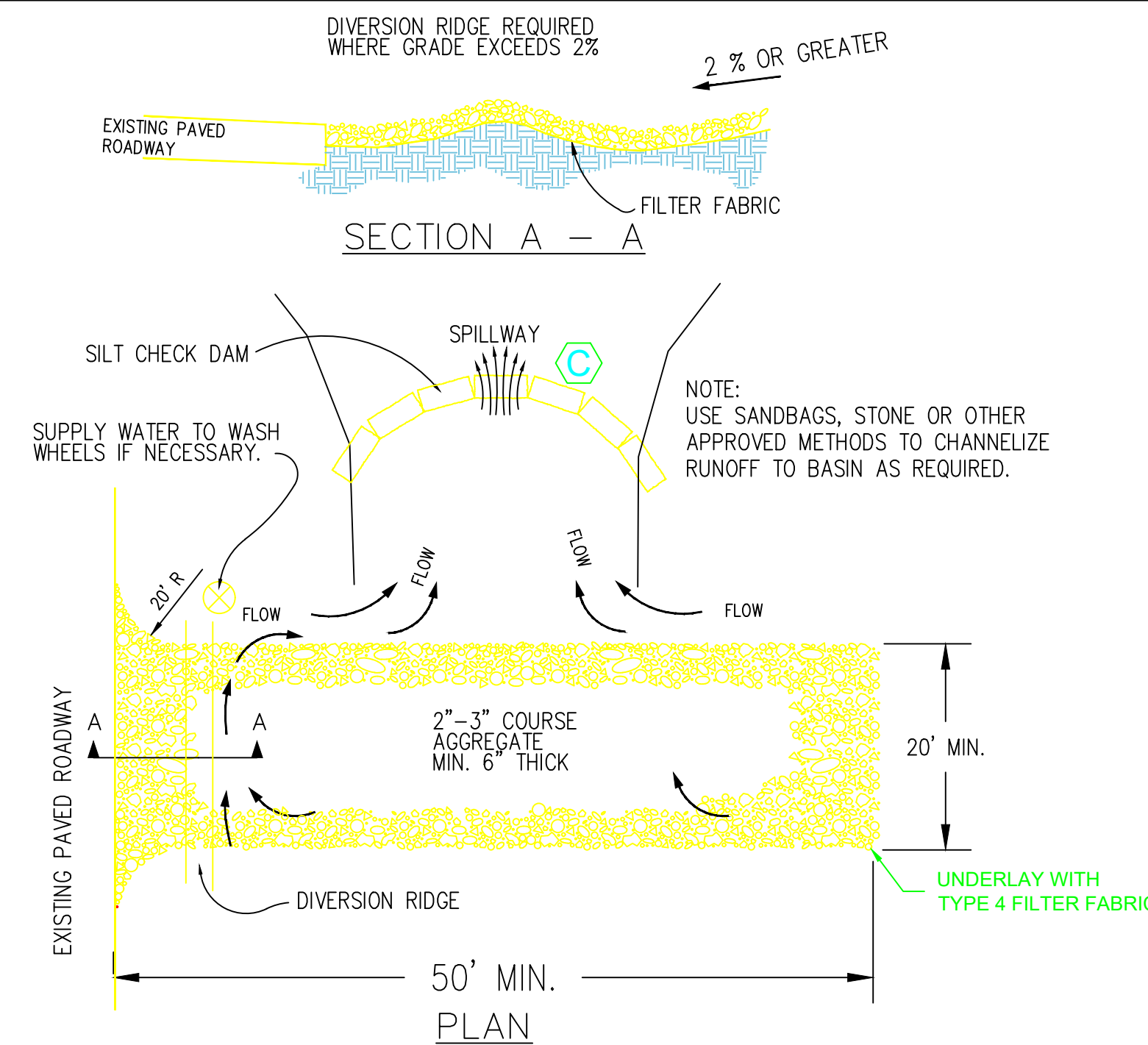
THE CONTRACTOR MUST TAKE NECESSARY ACTION TO MINIMIZE TRACKING OF MUD ONTO PAVED ROADWAY FROM CONSTRUCTION AREAS. THE CONTRACTOR SHALL DAILY REMOVE MUD/SOIL FROM PAVEMENT, AS MAY BE REQUIRED.

PROVIDE TRAFFIC CONTROL IN ACCORDANCE WITH THE MANUAL FOR UNIFORM TRAFFIC CONTROL DEVICES AND THE KENTUCKY DEPARTMENT OF HIGHWAYS GUIDANCE MANUAL.

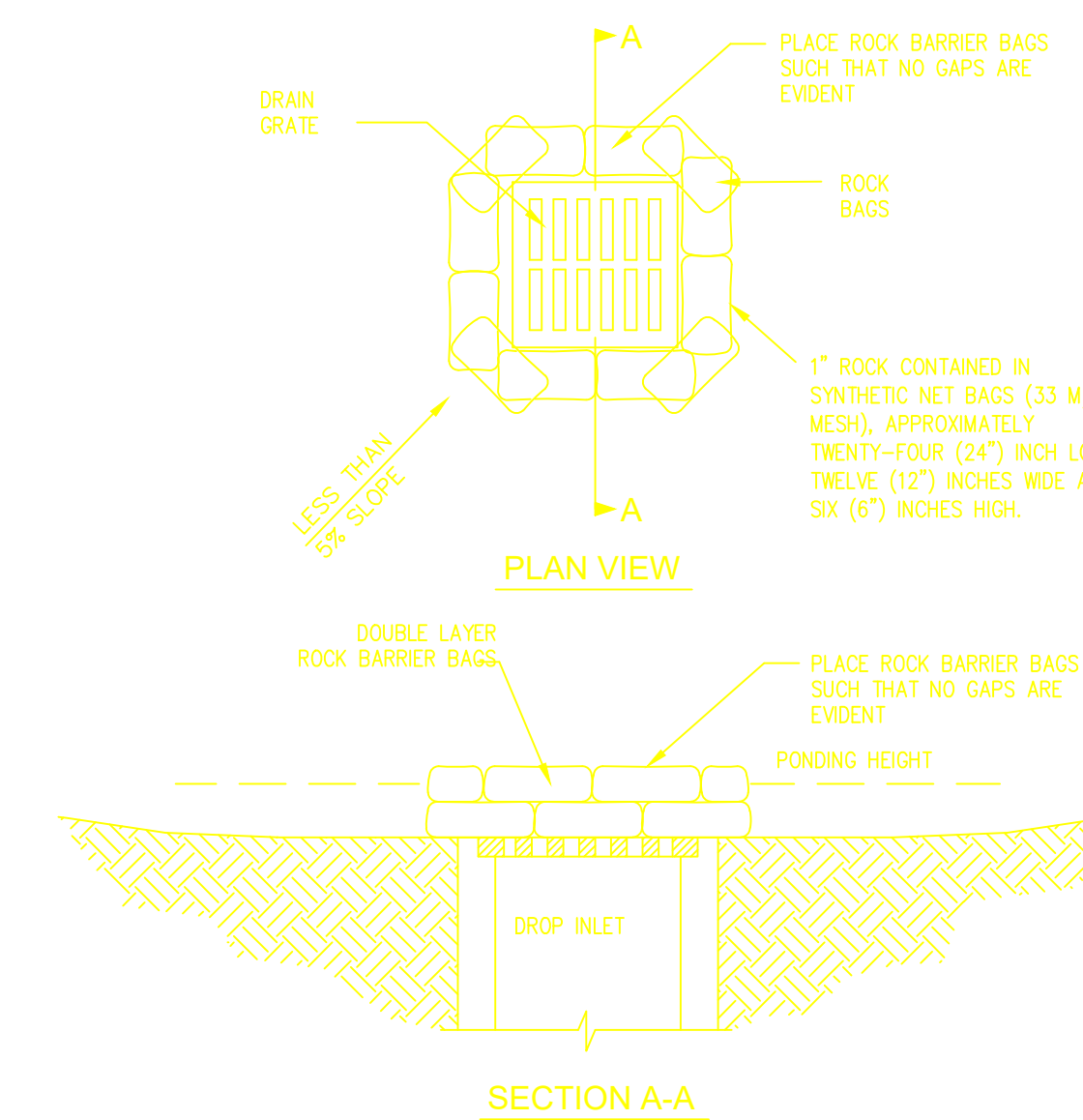
MAINTAIN ACCESS TO EXISTING BUSINESSES AND EXISTING ROADS.

ALL EARTHWORK TO COMPLY WITH KENTUCKY DEPT. OF HIGHWAYS (KY-DOH SECTION 400) SPECIFICATIONS FOR ROAD AND BRIDGE CONSTRUCTION, EDITION OF 2000 AND ANY AMENDMENTS.

THE CONTRACTOR SHALL LIMIT ACCESS TO THE SITE TO THE CONSTRUCTION ENTRANCES. THE LOCATION OF THE CONSTRUCTION ENTRANCES SHALL BE APPROVED BY THE ENGINEER AND DESIGNATED ON THE SWPPP. THE CONTRACTOR SHALL INSTALL STONE SURFACE AT THE LOCATION WHERE CONSTRUCTION TRAFFIC LEAVES AND ENTERS THE SITE. THESE ACCESS POINTS SHALL BE MIN. 20' WIDE, 50' LONG, 0.5' DEEP AND USE NO. 7 STONE OVER GEOTEXTILE FABRIC. THE CONTRACTOR IS RESPONSIBLE FOR KEEPING STREETS AND PARKING AREAS FREE FROM MUD, DIRT, DEBRIS, AND ROCK. DUST SHALL BE KEPT TO A MINIMUM BY UTILIZING SPRINKLING, CALCIUM CHLORIDE, VEGETATIVE COVER, SPRAY ON ADHESIVES OR OTHER APPROVED METHODS. THIS ENTRANCE SHALL BE MAINTAINED UNTIL THE STREET HAS BEEN CONSTRUCTED.

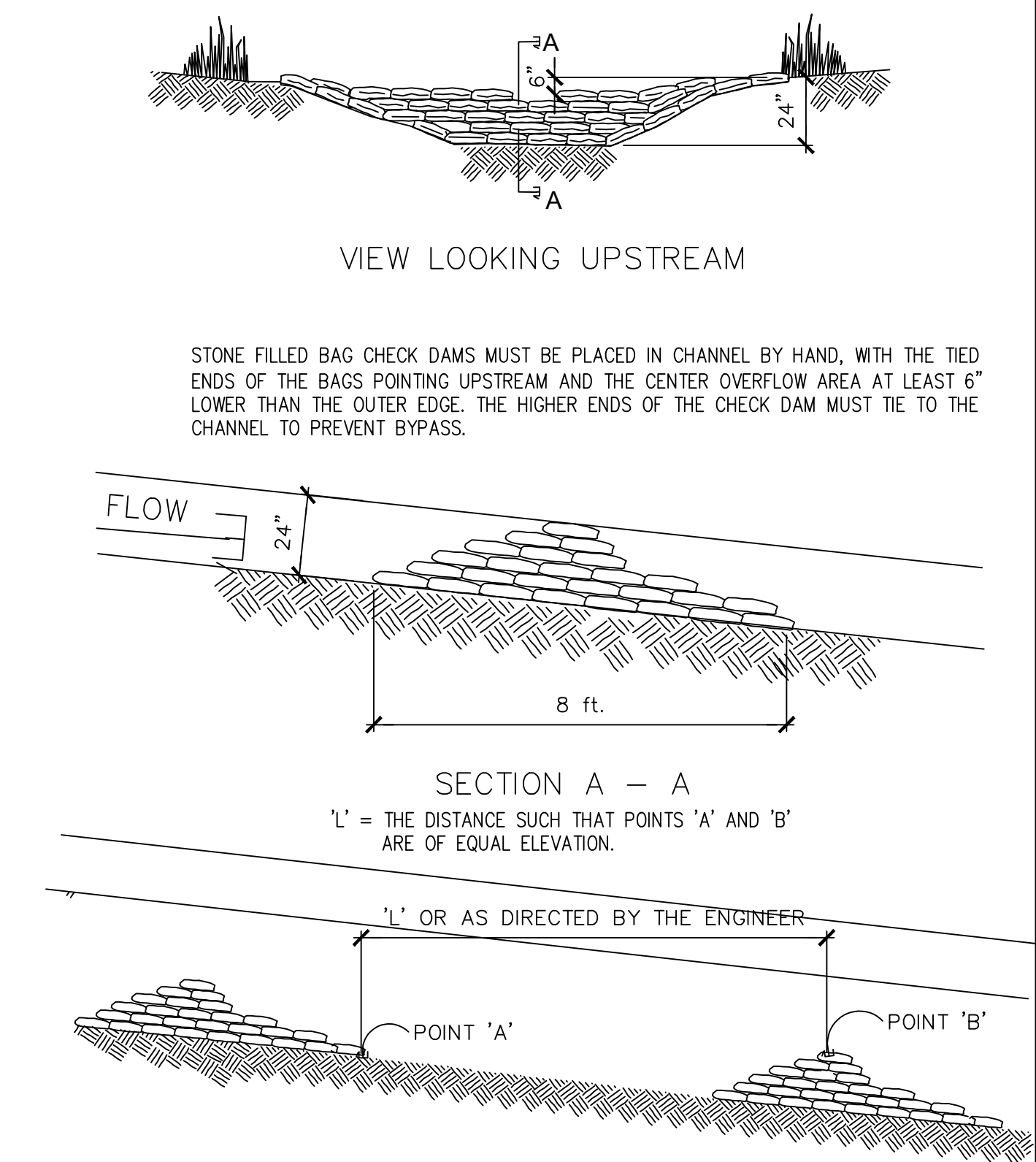


NOTES:
 1. THE ENTRANCE SHALL BE MAINTAINED IN A CONDITION THAT WILL PREVENT TRACKING OR FLOWING OF SEDIMENT ONTO PUBLIC RIGHTS-OF-WAY. THIS MAY REQUIRE TOP DRESSING, REPAIR AND/OR CLEANOUT OF ANY MEASURES USED TO TRAP SEDIMENT.
 2. WHEN NECESSARY, WHEELS SHALL BE CLEANED PRIOR TO ENTRANCE ONTO PUBLIC RIGHT-OF-WAY.
 3. WHEN WASHING IS REQUIRED, IT SHALL BE DONE ON AN AREA STABILIZED WITH CRUSHED STONE THAT DRAINS INTO AN APPROVED SEDIMENT TRAP OR SEDIMENT BASIN.



DROP BOX INLET PROTECTION NOTE:
 ALL INLET & OUTLET PROTECTION TO BE IN CONFORMANCE WITH THE KENTUCKY EROSION PREVENTION AND SEDIMENT CONTROL FIELD GUIDE

SILT TRAP TYPE "C"
 N.T.S.

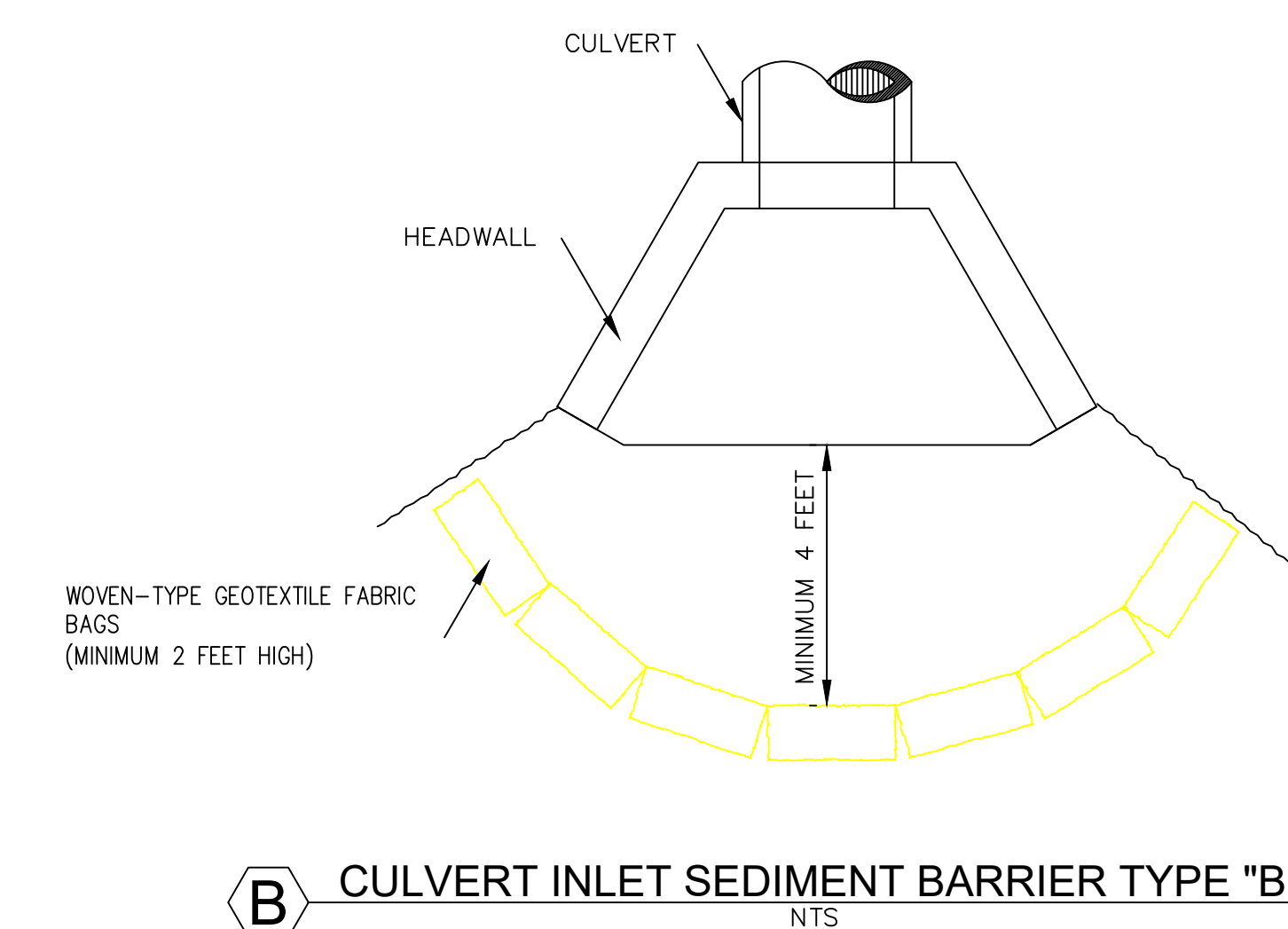


STONE FILLED BAG CHECK DAMS MUST BE PLACED IN CHANNEL BY HAND, WITH THE TIED ENDS OF THE BAGS POINTING UPSTREAM AND THE CENTER OVERFLOW AREA AT LEAST 6" LOWER THAN THE OUTER EDGE. THE HIGHER ENDS OF THE CHECK DAM MUST TIE TO THE CHANNEL TO PREVENT BYPASS.

SECTION A - A
 'L' = THE DISTANCE SUCH THAT POINTS 'A' AND 'B' ARE OF EQUAL ELEVATION.

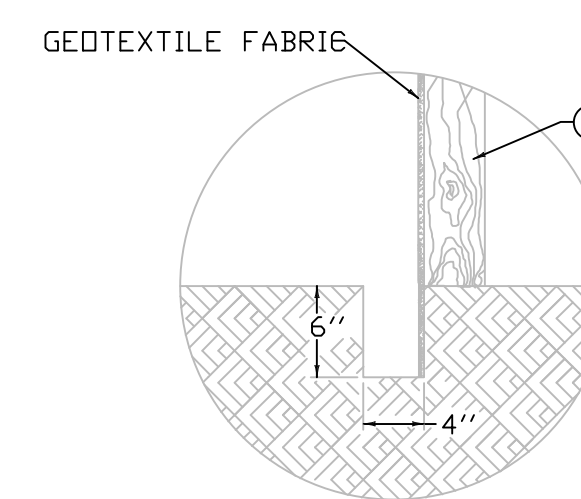
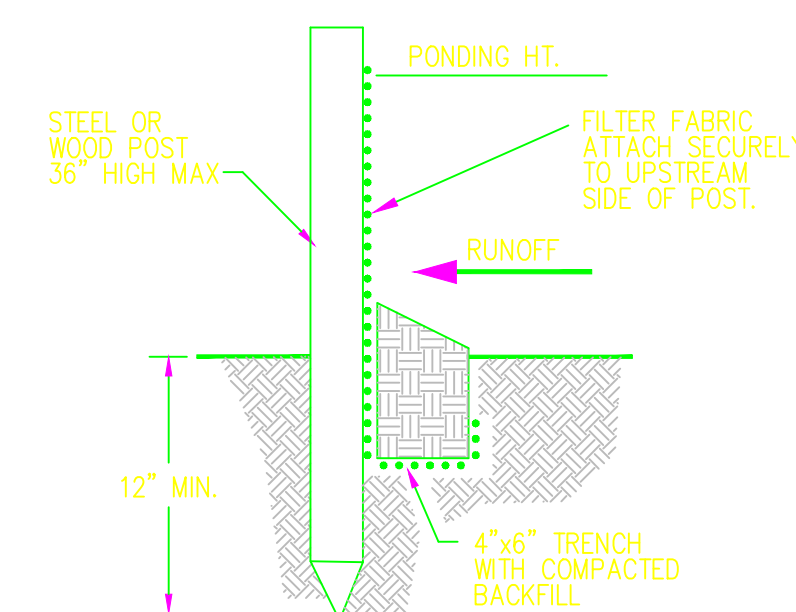
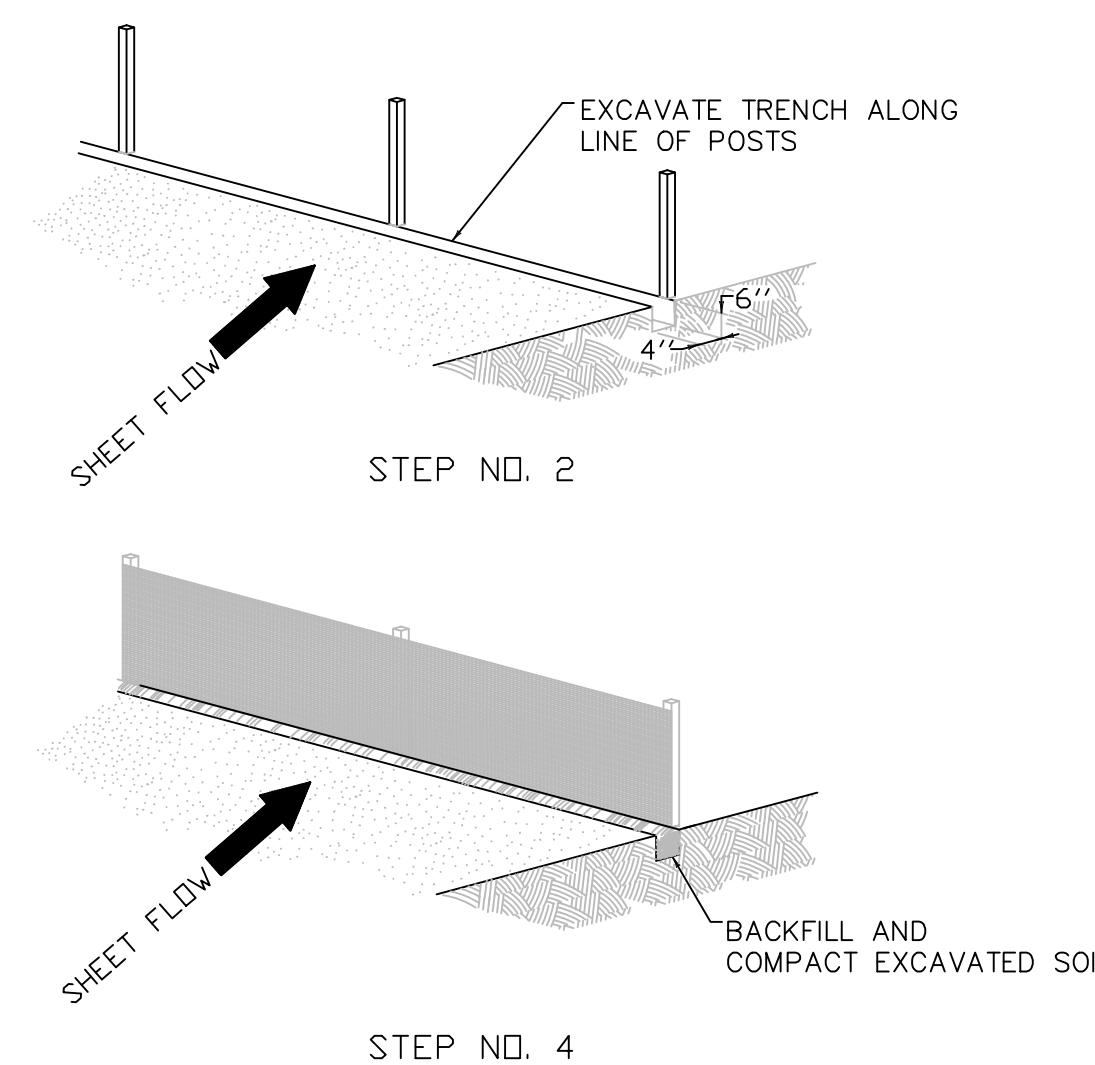
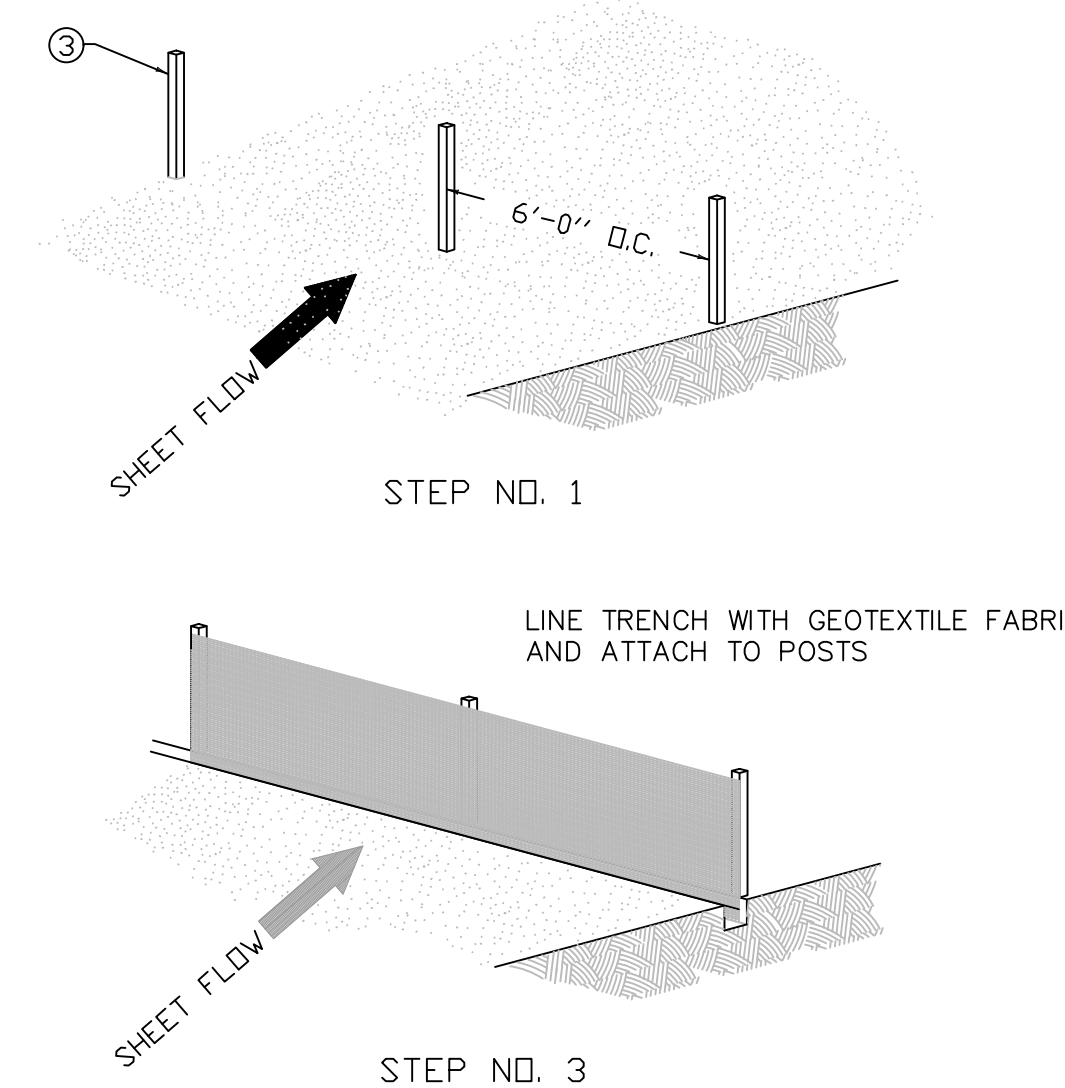
SPACING BETWEEN CHECK DAMS

SILT CHECK DAM TYPE "D"
 N.T.S.



CULVERT INLET SEDIMENT BARRIER TYPE "B"
 N.T.S.

TEMPORARY GRAVEL CONSTRUCTION ENTRANCE/EXIT
 N.T.S.



SECTIONAL DETAIL
TEMP. SILT FENCE DETAILS

- NOTES
- SEE STANDARD SPECIFICATIONS FOR POST SIZE, GEOTEXTILE FABRIC, WIRE STAPLES AND ALL OTHER PERTINENT INFORMATION.
 - POSTS MAY BE WOODEN OR METAL T-SECTION.
 - POSTS SHALL BE SET 1'-4" DEEP.
 - INSPECT AND REPAIR FENCE AFTER EACH STORM EVENT AND REMOVE SEDIMENT WHEN NECESSARY.
 - REMOVED SEDIMENT SHALL BE DEPOSITED TO AN AREA THAT WILL NOT CONTRIBUTE SEDIMENT OFF-SITE AND CAN BE PERMANENTLY STABILIZED.
 - SILT FENCE SHALL BE PLACED ON SLOPE CONTOURS TO MAXIMIZE PONDING EFFICIENCY.

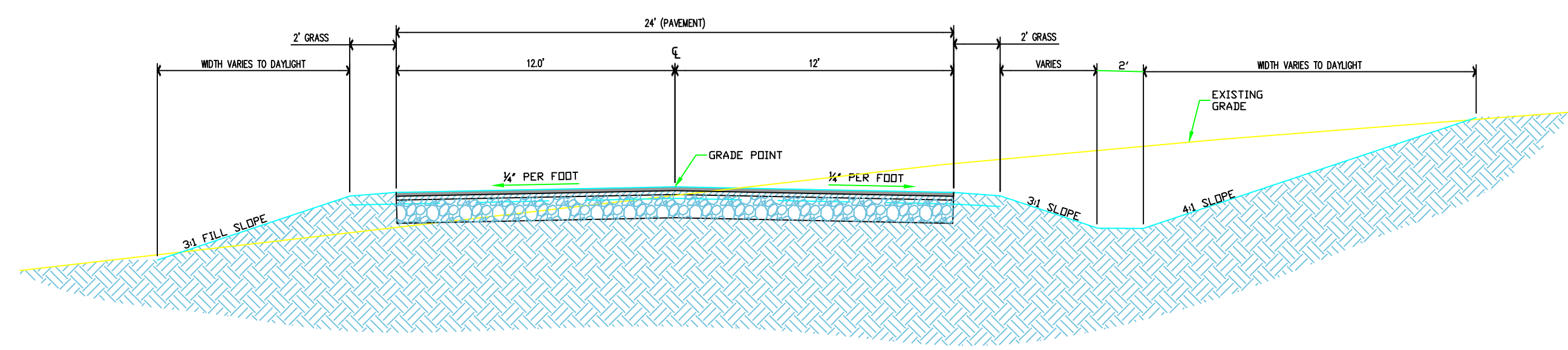
OWENTON INDUSTRIAL PARK
 PROPOSED BUILDING PADS

DATE	REVISION	BY

PROJECT NO. 2024-13
 DESIGNED BY GAR
 DRAWN BY JOW
 CHECKED BY GAR
 REVIEWED BY GAR
 DATE 6/7/24
 SCALE AS NOTED

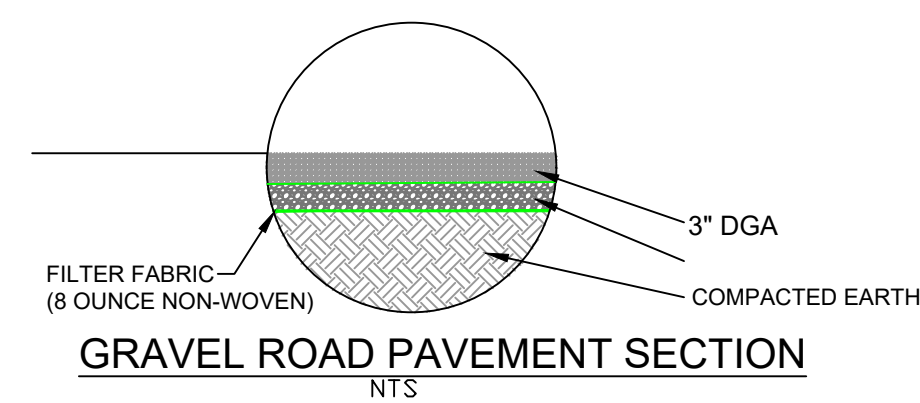
Engineers
 Architects
 Planners
MSE
 OF KENTUCKY, INC.
 Phone: (859)223-5684
 Fax: (859)223-2607
 624 Wellington Way
 Lexington, KY 40503
 www.msellex.com

DRAWING NO.
EC-2
 SHEET OF

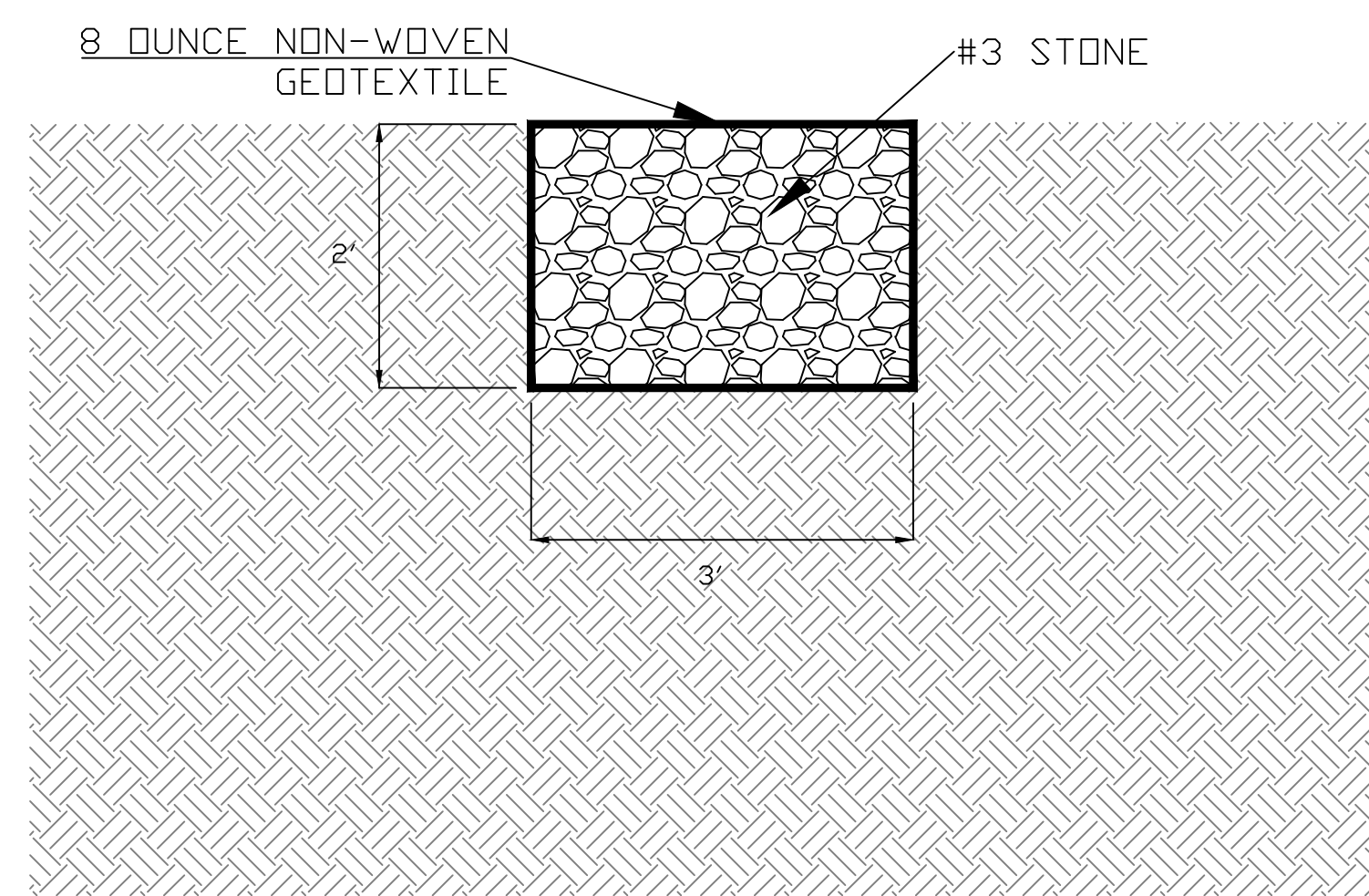


TYPICAL SECTION
NTS

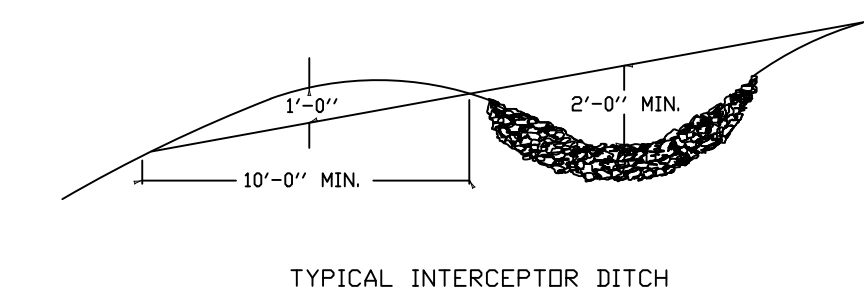
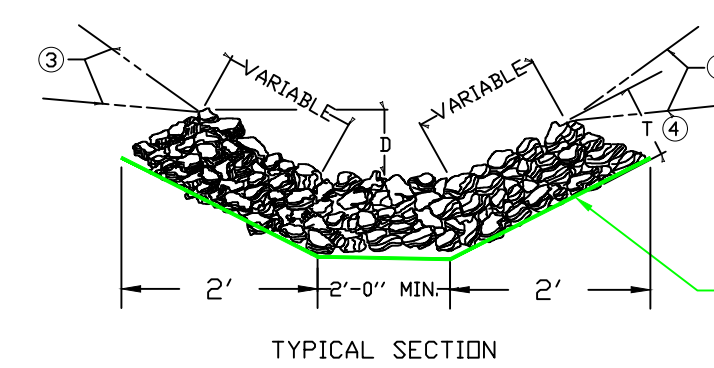
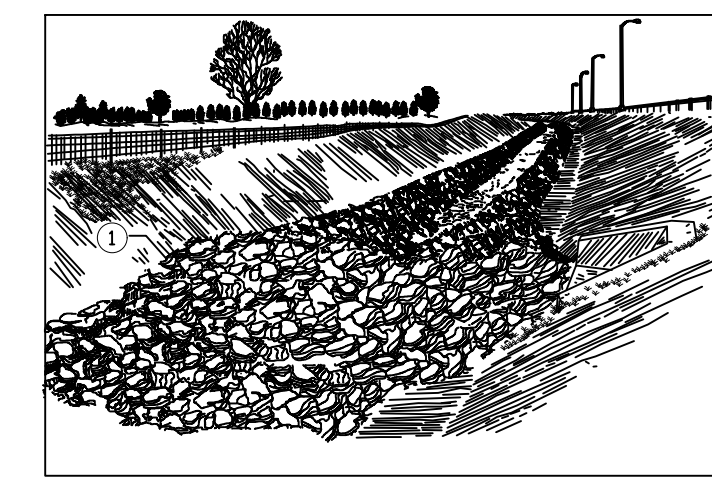
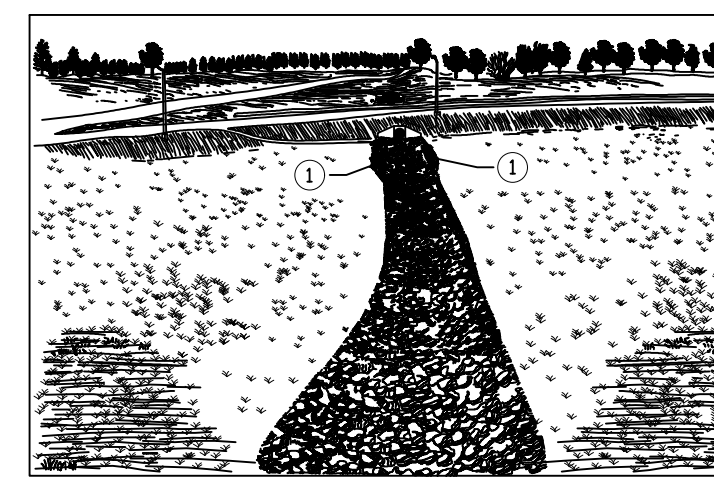
PAVEMENT REQUIREMENTS



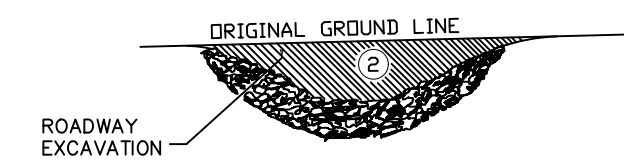
NOTES:
ALL MATERIALS AND INSTALLATION TO COMPLY WITH KENTUCKY TRANSPORTATION CABINET (KY-DOH SECTION 400) SPECIFICATIONS FOR ROAD AND BRIDGE CONSTRUCTION, EDITION OF 2008 AND ANY AMENDMENTS.



TYPICAL FRENCH DRAIN/UNDERDRAIN
NTS



TYPICAL INTERCEPTOR DITCH

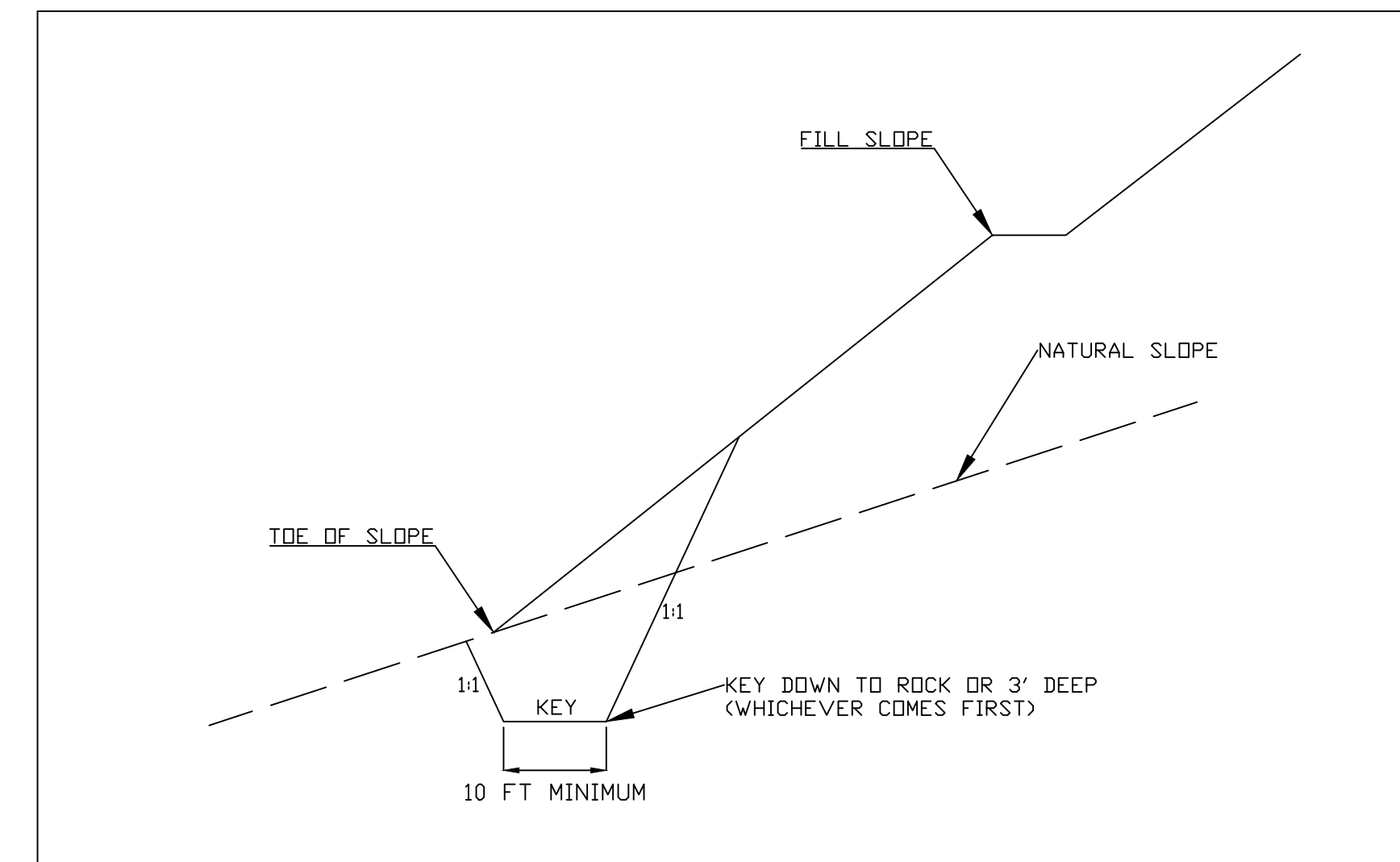


ROADWAY EXCAVATION

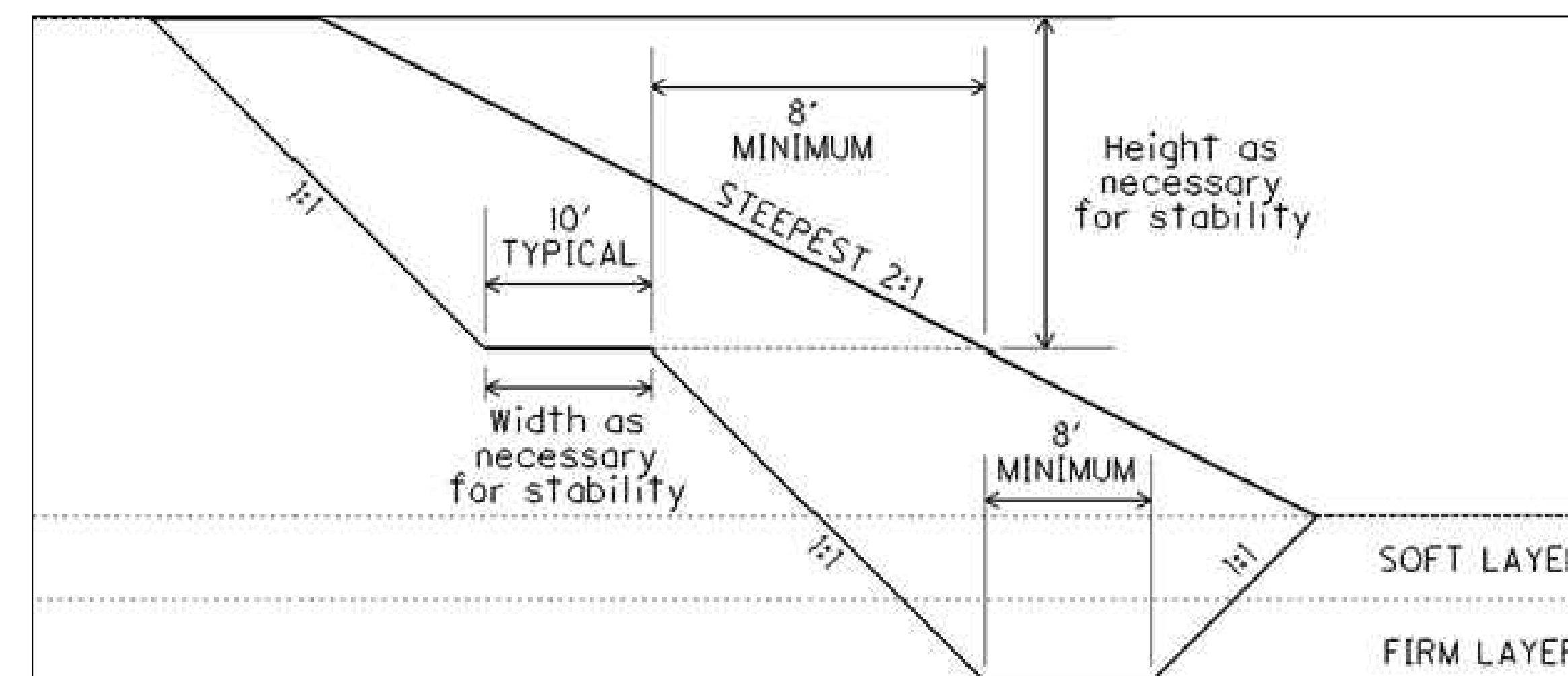
NOTES

- CHANNEL LINING WILL BE PAID FOR AT THE CONTRACT UNIT PRICE PER TON FOR EACH CLASS.
CHANNEL LINING WILL NOT BE REQUIRED IN THE BOTTOM OF THE DITCH WHERE SOLID ROCK IS ENCOUNTERED.
CHANNEL LINING ESTIMATED ON THE BASIS OF 0.50 TON PER SQ. YD. PER FOOT OF DEPTH.
- 1) WIDEN CHANNEL LINING NEAR OUTLET END OF STRUCTURE AS DIRECTED BY THE ENGINEER.
 - 2) FROM THE TOP OF THE LINING TO THE ORIGINAL GROUNDLINE.
 - 3) ALTERNATE LOCATION OF GROUNDLINE.
 - 4) 15" MIN. CLASS II, OR 24" MIN. CLASS III.
 5. D = DEPTH TO PROTECT, T = THICKNESS, (SEE PLAN NOTES FOR THESE VALUES)

RDD-040
CHANNEL LINING
CLASS II AND III



TOE KEY
NTS



TOE TRENCH
NTS

DETAILS

OWENTON INDUSTRIAL PARK

PROPOSED BUILDING PADS

DATE	REVISION	BY

PROJECT NO. 2024-13
DESIGNED BY GAR
DRAWN BY JDW
CHECKED BY GAR
REVIEWED BY GAR
DATE 6/7/24
SCALE AS NOTED

© copyright
NOTICE: This document contains confidential information of M&E of Kentucky, Inc. and its affiliates. It is the property of M&E of Kentucky, Inc. and its affiliates. It is to be used only for the project and location specified herein. No part of this document may be reproduced, stored in a retrieval system, or transmitted in any form or by any means, without the written permission of M&E of Kentucky, Inc.

Engineers
Architects
Planners

M&E
OF KENTUCKY, INC.

Phone: (609)223-5694
Fax: (609)223-2607
624 Wellington Way
Lexington, KY 40503
www.mstlex.com

DRAWING NO.
D-1
SHEET OF